

Mechanical Transplanter

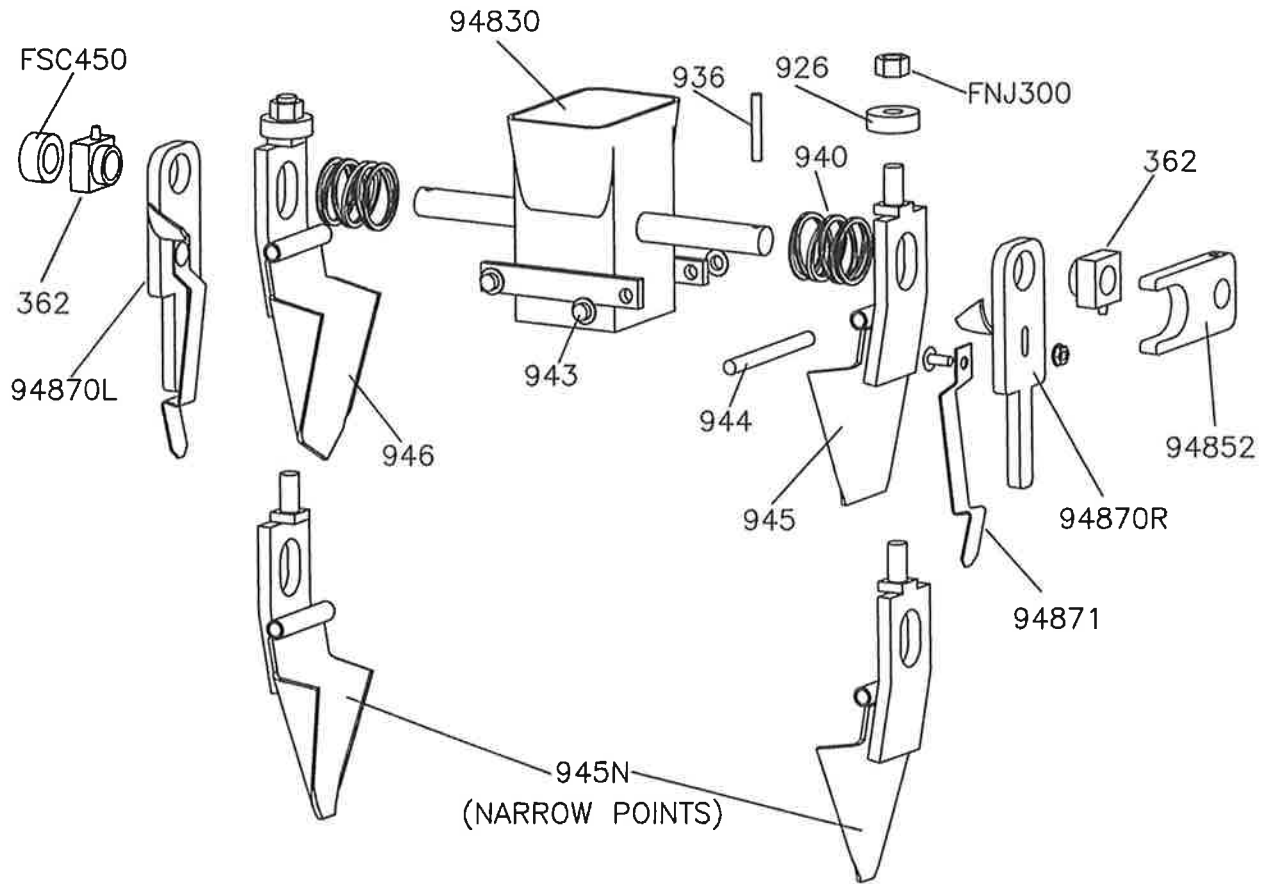
Model 948 Parts List

43	1/2" Bushing w/Shoulder	94819	Pocket Drive Shaft
373	Chain Tightener Spring	94820	Bearing Plate w/Bearings
416	3/4" Oilite Bushing	94821	Left Weight Transfer Arm
634U	1/2" U-Bolt for 1-1/2 x 2-1/2" Bar	94822	Right Weight Transfer Arm
637	Fiberglass Seat Bracket	94823	Crank Arm
715	3/8" U-bolt with Nut	94824	Lift Chain
726L	Long "L" Seat Bracket	94825	Pipe Spacer
926	Sealed Bearing	94839	Seat and Tray Holder Arm
999	Bearing and Guide Washer Complete	94840	Footrest
4600-18	Shelving and Carrousel Shaft	94841	Step
5020	1" Flange Block Bearing	94842	Unit Chain Guard
5029	Chain Tightener Arm	94843	Unit Guard
5053B	Brass Adjustment Nut	94845	Chain Guard Strap
5074	Stainless Steel Shaft (per foot)	94846	Spring Holder Plate
5098	1" Coupler	94847	Unit Drive Chain
5111	1" Transtorque	94848	Shelving Shaft Support
5112	35 Tooth Sprocket with 1-3/4" Hole	94849	Shelving Tray Support
5124	Nylon Roller	94851	7/8" Transtorque
5150	Carrousel Arm	94852	Large Eyebolt
6600-05	Carrousel Collar	94858	40 Tooth Sprocket with 7/8" Hole
7490	Weight Transfer Spring	94876	Timing Arm
7491	5/16 x 3" Eyebolt	94877	Pocket Spool Side
7760	Carrousel Mounting Arm	94885	Standard Pocket
50025	Shelving Tray	94885N	Narrow Pocket
94801	Unit Frame	FFB500W	7/8" Wide Flange Block Bearing
94802	Top Scissor Hitch Arm	FH443	5/8 x 3-1/2" Hex Head Cap Screw
94803	Bottom Scissor Hitch Arm	FH459	5/8 x 4-1/2" Hex Head Cap Screw
94805	Top Packing Wheel Arm	FHN331	1/2 x 1" Nylon Hex Head Cap Screw
94807	Bottom Packing Wheel Arm	FSC400	5/8" Set Collar
94808	Packing Wheel Swing Bracket	FUB3444	3/4" U-Bolt for 4x4 Bar
94810	Packing Wheel Leg	FUB7844	7/8" U-Bolt for 4x4 Bar
94814	Packing Wheel	H805 4x4	Pipe Stands for 4x4 Bar (Pair)
94815	Right Scissor Hitch Mtg. for 4x4 Bar	OE 74	Fiberglass Seat
94816	Left Scissor Hitch Mtg. for 4x4 Bar	OE 77	Cushion Seat
94818QC	Control Disc		

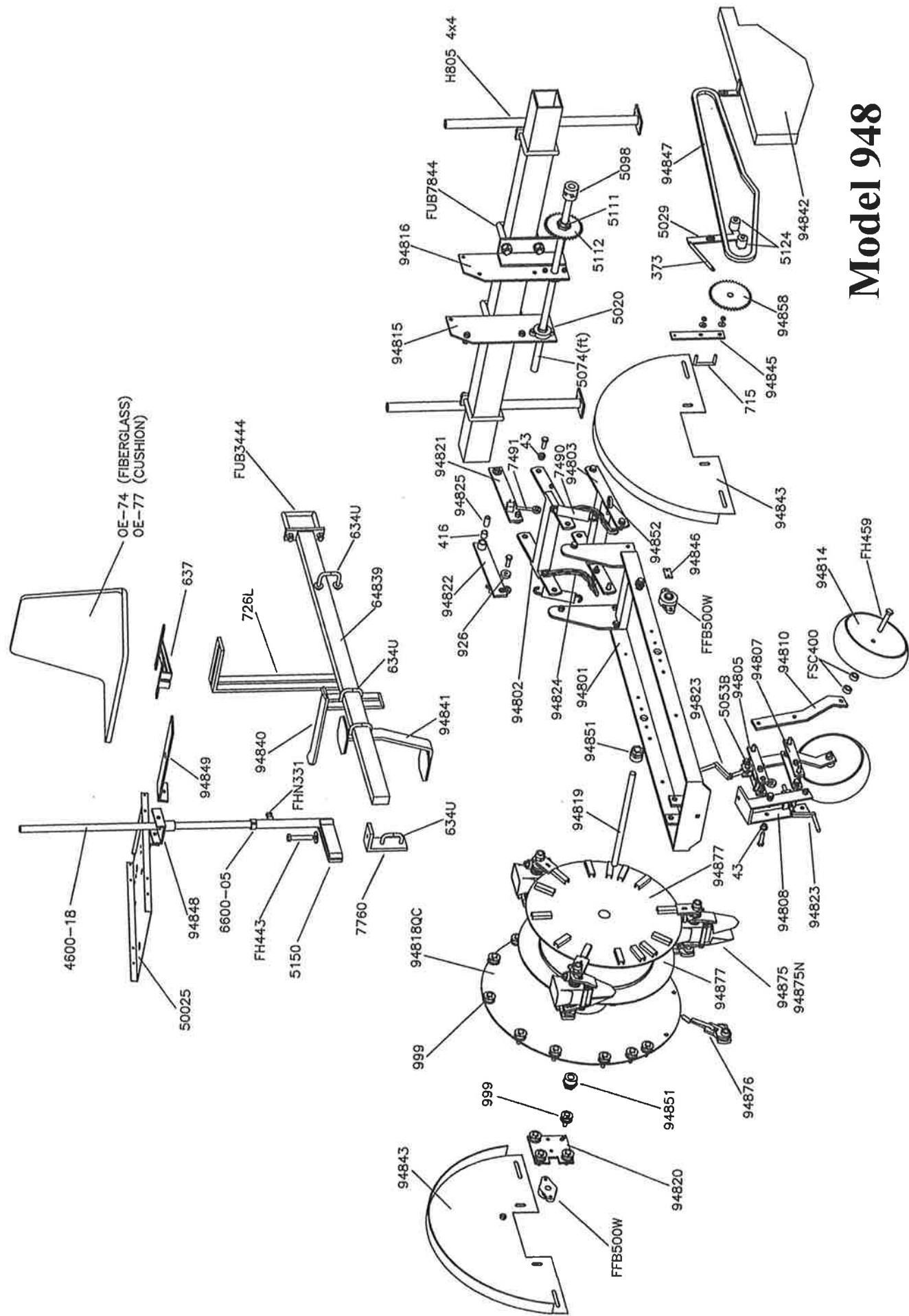
Mechanical Transplanter Company * 1150 Central Avenue * Holland, MI 49423
Phone: 800-757-5268 * 616-396-8738 or Fax: 616-396-3619

www.mechanicaltransplanter.com
mtc@mechanicaltransplanter.com

94885 and 94885N Pocket Parts

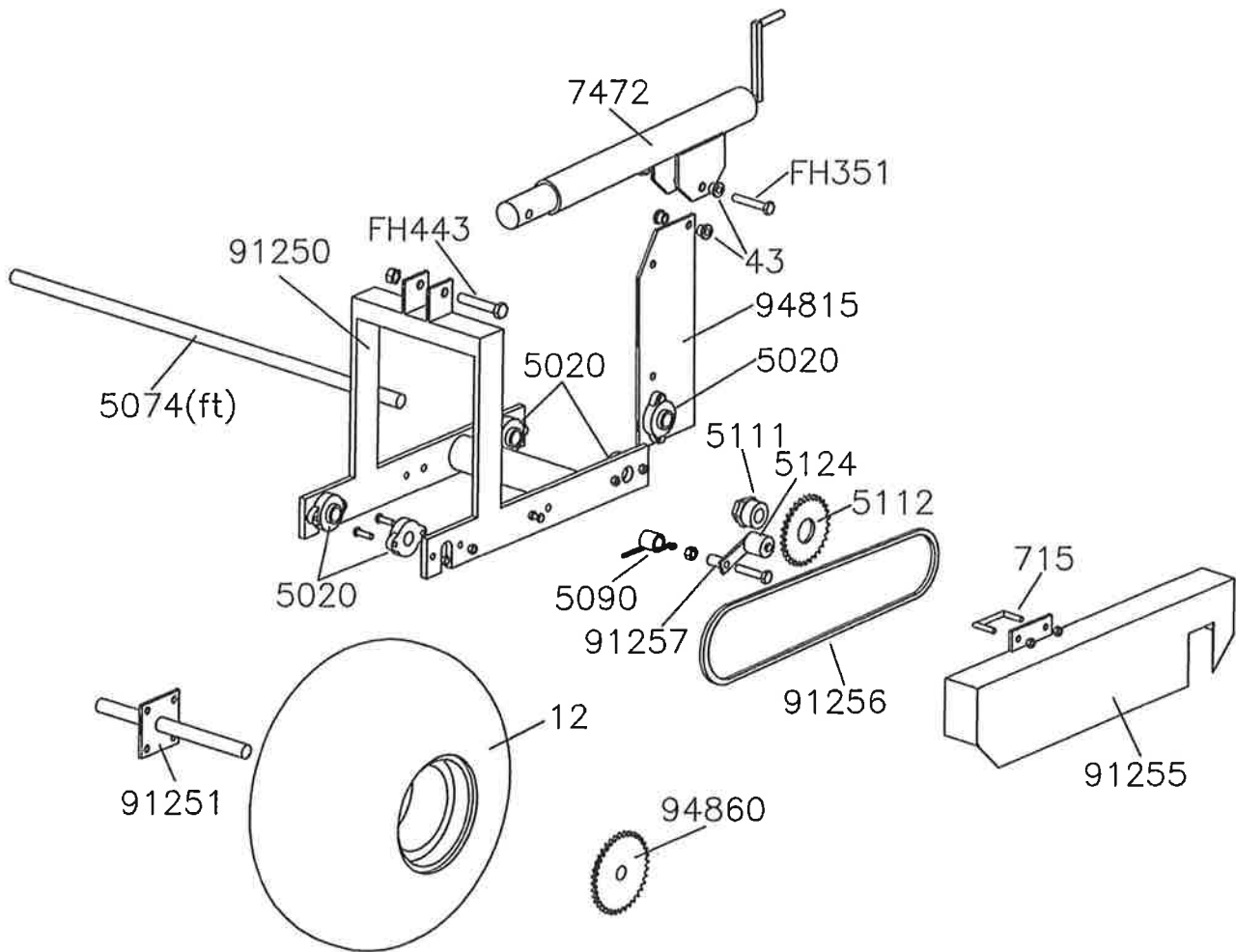


- | | |
|--------|------------------------------------|
| 362 | Nylon Bushing for #348 Lower Shaft |
| 926 | Sealed Bearing |
| 936 | Roll Pin for mounting 935 & 942 |
| 940 | Pocket Compression Spring |
| 943 | Cap Nut for #944 Hinge Pin |
| 944 | Pocket Hinge Pin |
| 945 | Left Pocket Piercing Point |
| 945N | Narrow Pocket Point |
| 946 | Right Pocket Piercing Point |
| 94830 | Pocket Main Frame |
| 94852 | Large Eyebolt |
| 94870L | Left Pocket Arm |
| 94870R | Right Pocket Arm |
| 94871 | Pocket Clip Spring |
| FNJ300 | 1/2" Jam Nut |
| FSC450 | 3/4" Jam Nut |



Model 948

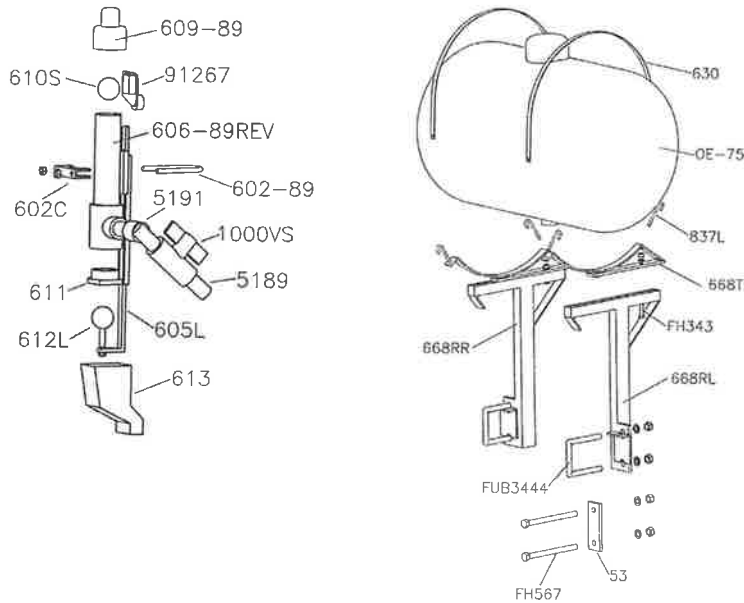
DRIVE PARTS FOR 948



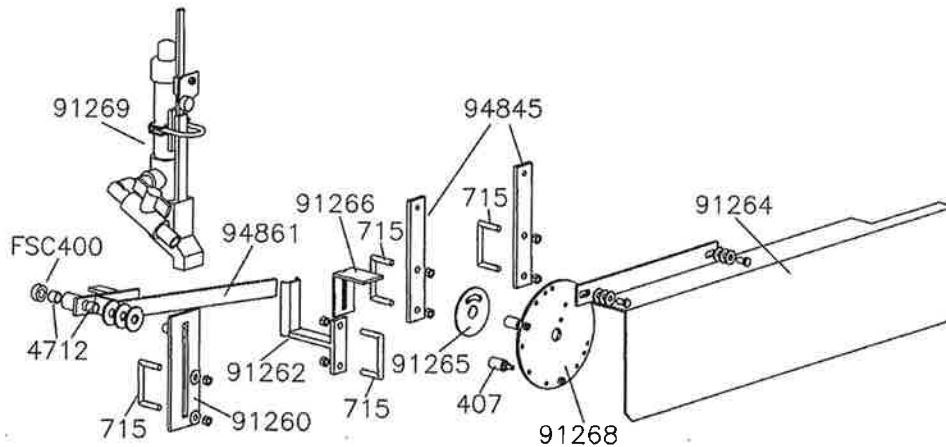
948 GAUGE WHEEL DRIVE PARTS

12	Direct Drive Tire & Rim
43	Bushing for Clamp
715	3/8" U-bolt with Nut
5020	1" Flange Block Bearing
5074	Stainless Steel shaft (per foot)
5090	7 Coil Chain Tightener Spring
5111	Transtorque Bushing
5112	35 Tooth Sprocket with 1-3/4" Hole
5124	Chain Tightener Complete
7472	Crank Jack
91250	Drive Frame
91251	Drive Wheel Hub
91255	Drive Chain Guard
91256	Drive Chain
91257	Drive Chain Tightener Arm
94815	Right Scissor Hitch Mounting for 4x4 Bar
94860	32 Tooth Sprocket
FH351	1/2 x 3-1/2" Hex Head Cap Screw
FH443	5/8 x 3-1/2" Hex Head Cap Screw

PARTS FOR WATER VALVE OPTION



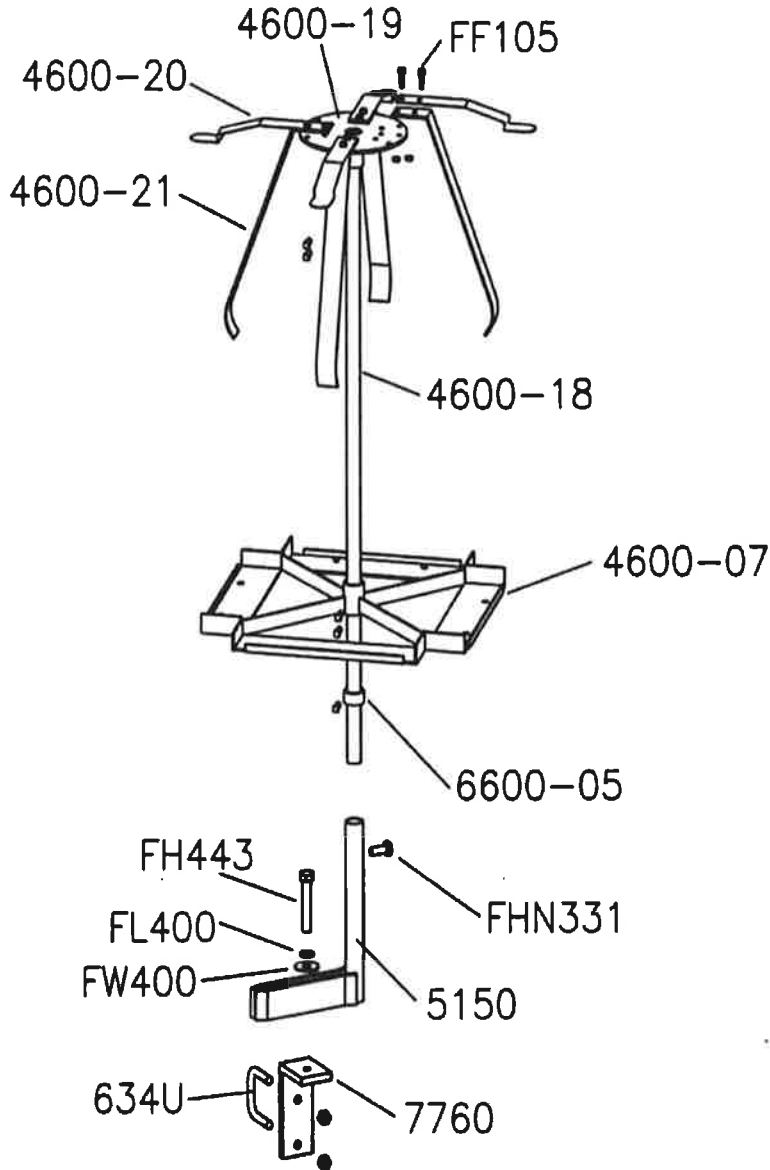
WATER VALVE TRIP PARTS



PARTS LIST FOR ABOVE

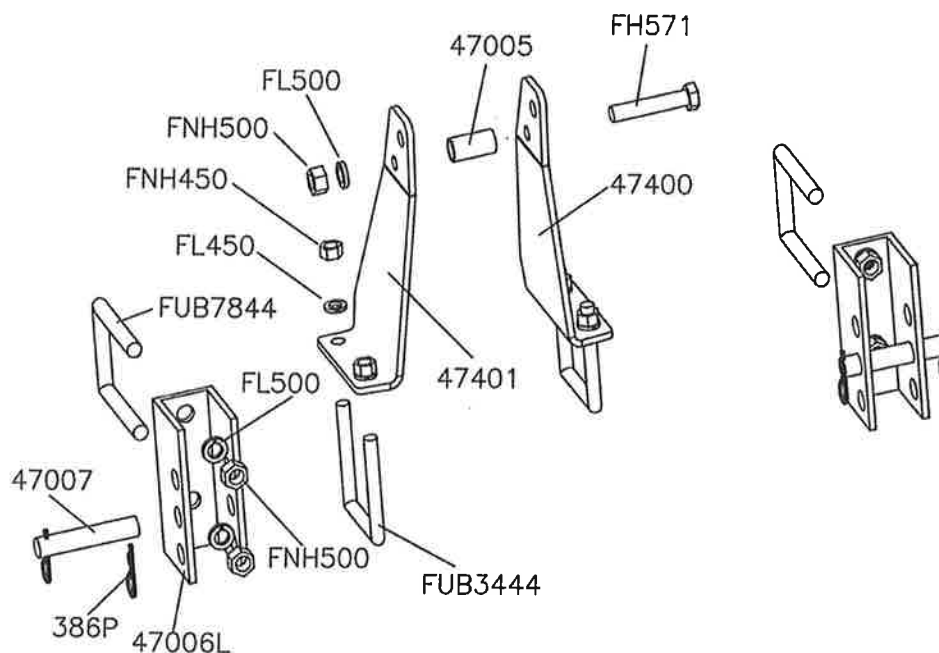
53	Securing Plate	837L	5/16" J-Bolt
407	Roller Water Trip	91260	Trip Mounting Bracket
602C	Special U-Bolt Clamp	91262	Valve Mounting Bracket
602-89	U-Bolt with Nuts	91264	Trip Guard
605L	L-Shaped Water Trip Rod and Ball	91265	Adjustment Dial
606-89	Cap with Nipple & Rubber sent after '88	91266	Trip Rest
609-89REV	Valve Housing	91267	Roller Trip
610S	Solid Non-Crush Flad Ball	91268	Trip Disc
611	Nylon Water Valve Seat	91269	Water Valve
612L	Ball Valve w/Brass Pin (after 2000)	94845	Guard Mounting Plate
613	Water Valve Spout	94861	Trip Arm
630	60 Gallon Barrel Hoop - each	FH343	1/2 x 2-1/2" Hex Head Cap Screw
668RL	Left Barrel Bracket for 4x4 & 4x7	FH567	3/4 x 9-1/2" Hex Head Cap Screw
668RR	Right Barrel Bracket for 4x4 & 4x7	FSC 400	5/8" Set Collar
668T	Barrel Saddle	FUB3444	3/4" U-Bolt for 4x4 Bar
1000VS	Water Valve Shut Off	OE 75	55 Gallon Poly Barrel
5191	90 Degree Elbow		

4-Tray Carrousel

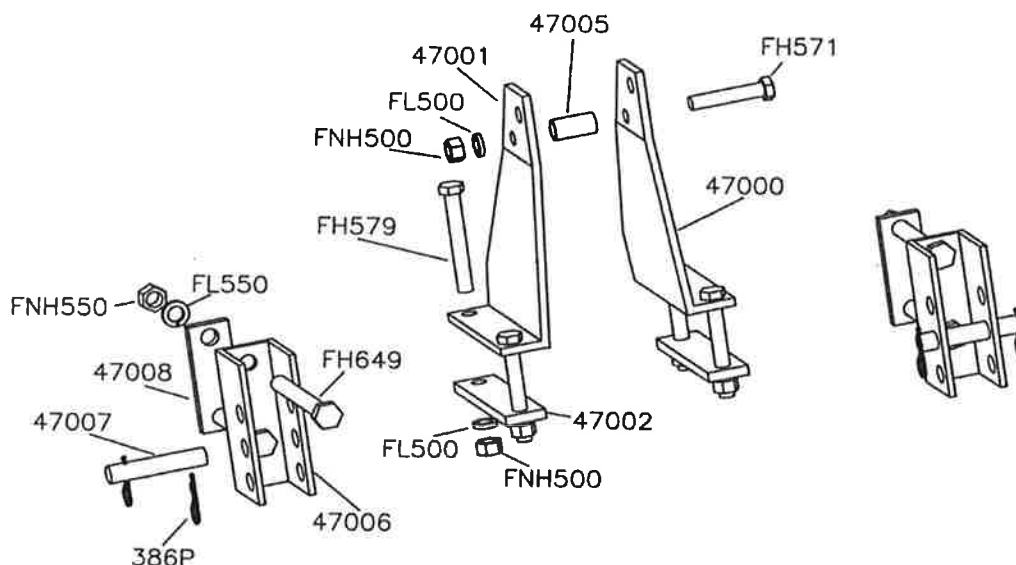


4600-07	Carrousel Tray Frame	6600-05	Carrousel Collar
4600-18	Carrousel Pipe	7760	Mounting Bracket
4600-19	Top Disc	FF105	1/4 X 3/4" Flange Screw
4600-20	Top Spring Plate	FH 443	5/8 x 3-1/2" Hex Head Cap Screw
4600-21	Back Spring Plate	FHN331	1/2 x 1" Nylon Hex Head Cap Screw
5150	Carrousel Arm	FL400	5/8" Lock Washer
634U	Cultivator U-Bolt	FW400	5/8" Flat Washer

MT 44L Toolbar Hitch for 4x4" Toolbar



MT 47 Toolbar Hitch for 4x7" Toolbar



386P	Clip Pin	FH571	7/8x4-1/2" Hex Head Cap Screw
47000	MT 47 Right Center Upright	FH649	1x9-1/2" Hex Head Cap Screw
47001	MT 47 Left Center Upright	FL450	3/4" Lock Washer
47002	Securing Plate for 7" Toolbar	FL500	7/8" Lock Washer
47005	Upright Spacing Pipe	FL550	1" Lock Washer
47006	Lower Bracket	FNH450	3/4" Hex Nut
47006L	Lower Bracket for MT 44L	FNH500	7/8" Hex Nut
47007	Lower Pin	FNH550	1" Hex Nut
47008	Securing Plate for 4" Toolbar	FUB7844	7/8" U-Bolt for 4x4 Bar
47400	MT 44 Right Center Upright		
47401	MT 44 Left Center Upright		

Safety Precautions

1. Make sure tractor is stopped and in neutral with the transplanter lowered to the ground before getting on and off the unit.
2. No operator is allowed to be on the unit as it is raised and lowered.
3. No operator is allowed on the transplanter as it is transported to or from the field.
4. All operators must be seated before movement begins and remain seated until the transplanter is completely stopped.
5. Never leave the transplanter in the raised position.
6. Keep all shields and guards in place when operating the transplanter.
7. Never attempt repairs or maintenance while the transplanter is in motion.
8. Never put the tractor in reverse while the transplanter is on the ground.
9. Follow all safety instructions supplied by the tractor manufacturer to which the transplanter is mounted.

MACHINE IMPROVEMENTS

MECHANICAL TRANSPLANTER CO. IS ALWAYS STRIVING TO MAKE IMPROVEMENTS ON THEIR LINE OF EQUIPMENT. MECHANICAL TRANSPLANTER CO. RESERVES THE RIGHT TO MAKE IMPROVEMENTS AND CHANGES AT ANY TIME WITHOUT INCURRING OBLIGATIONS TO MAKE SUCH CHANGES OR ADDITIONS TO EQUIPMENT PREVIOUSLY SOLD.

Limited Warranty

Mechanical Transplanter Company warrants each item of new equipment manufactured by Mechanical to be free from defects in material and workmanship under normal use and service.

The obligation of Mechanical Transplanter Company under this LIMITED WARRANTY is limited to repairing or replacing as Mechanical may elect, and any parts that prove, in Mechanical's judgment, to be defective in material and workmanship within the first season's use or 45 consecutive days after initially placing equipment in operation, whichever occurs first. Any outside work or alterations without Mechanical's written approval will render the LIMITED WARRANTY void.

Mechanical's obligation specifically excludes any liability for consequential damages, such as loss of profits, delays, expenses, damage to goods or property used in connection with or processed in or by the product sold, or damage to the product sold from whatsoever cause, whether or not such loss is due to negligence of selling dealer of Mechanical Transplanter Company.

This limited warranty shall not apply to any item or machine which shall have been operated in a manner not recommended by the Company nor which shall have been repaired, altered, misused, damaged in an accident, neglected, tampered with or used in any way which in the Company's opinion adversely affects its performance and results.

No person is authorized to give any other warranties or to assume any other liability on behalf of Mechanical Transplanter Company, unless made in writing by Mechanical.

This limited warranty covers repair or replacement of Mechanical Transplanter Co. equipment only and does not cover crop loss, downtime, labor, damage to other equipment, etc.

This limited warranty does not apply to exterior finishes, tires, chain links, bearings, or any other items sold by Mechanical Transplanter Co., but warranted by the original manufacturer except to the extent of their individual manufacturer's warranty.

THIS LIMITED WARRANT IS IN LIEU OF ALL OTHER WARRANTIES, EXPRESSED OR IMPLIED. WARRANTIES OF MERCHANT ABILITY AND FITNESS FOR PARTICULAR PURPOSE ARE EXCLUDED, AS ARE ALL OTHER REPRESENTATIONS TO THE USER-PURCHASER, AND ALL OTHER OBLIGATIONS OR LIABILITIES, INCLUDING LIABILITY FOR INCIDENTAL AND CONSEQUENTIAL DAMAGES, ON THE PART OF MECHANICAL OR THE SELLER.