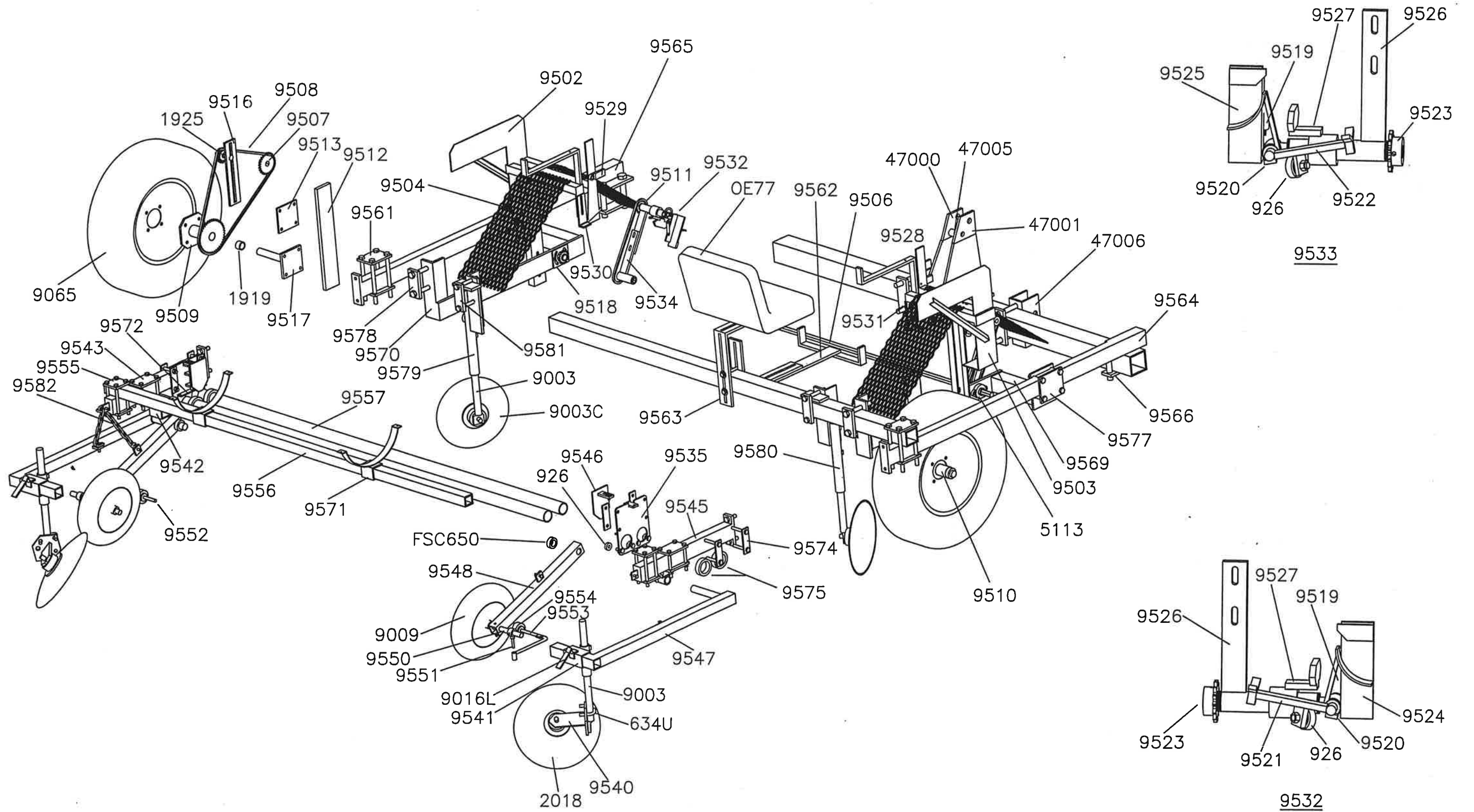


MODEL 95



Safety Precautions

1. Make sure tractor is stopped and in neutral with the transplanter lowered to the ground before getting on and off the unit.
2. No operator is allowed to be on the unit as it is raised and lowered.
3. No operator is allowed on the transplanter as it is transported to or from the field.
4. All operators must be seated before movement begins and remain seated until the transplanter is completely stopped.
5. Never leave the transplanter in the raised position.
6. Keep all shields and guards in place when operating the transplanter.
7. Never attempt repairs or maintenance while the transplanter is in motion.
8. Never put the tractor in reverse while the transplanter is on the ground.
9. Follow all safety instructions supplied by the tractor manufacturer to which the transplanter is mounted.

MACHINE IMPROVEMENTS

MECHANICAL TRANSPLANTER CO. IS ALWAYS STRIVING TO MAKE IMPROVEMENTS ON THEIR LINE OF EQUIPMENT. MECHANICAL TRANSPLANTER CO. RESERVES THE RIGHT TO MAKE IMPROVEMENTS AND CHANGES AT ANY TIME WITHOUT INCURRING OBLIGATIONS TO MAKE SUCH CHANGES OR ADDITIONS TO EQUIPMENT PREVIOUSLY SOLD.

Limited Warranty

Mechanical Transplanter Company warrants each item of new equipment manufactured by Mechanical to be free from defects in material and workmanship under normal use and service.

The obligation of Mechanical Transplanter Company under this LIMITED WARRANTY is limited to repairing or replacing as Mechanical may elect, and any parts that prove, in Mechanical's judgment, to be defective in material and workmanship within the first season's use or 45 consecutive days after initially placing equipment in operation whichever occurs first. Any outside work or alterations without Mechanical's written approval will render the LIMITED WARRANTY void.

Mechanical's obligation specifically excludes any liability for consequential damages, such as loss of profits, delays, expenses, damage to goods or property used in connection with or processed in or by the product sold, or damage to the product sold from whatsoever cause, whether or not such loss is due to negligence of selling dealer of Mechanical Transplanter Company.

This limited warranty shall not apply to any item or machine which shall have been operated in a manner not recommended by the Company nor which shall have been repaired, altered, misused, damaged in an accident, neglected, tampered with or used in any way which in the Company's opinion adversely affects its performance and results.

No person is authorized to give any other warranties or to assume any other liability on behalf of Mechanical Transplanter Company, unless made in writing by Mechanical.

This limited warranty covers repair or replacement of Mechanical Transplanter Co. equipment only and does not cover crop loss, downtime, labor, damage to other equipment, etc.

This limited warranty does not apply to exterior finishes, tires, chain links, bearings, or any other items sold by Mechanical Transplanter Co., but warranted by the original manufacturer except to the extent of their individual manufacturer's warranty.

THIS LIMITED WARRANTY IS IN LIEU OF ALL OTHER WARRANTIES, EXPRESSED OR IMPLIED. WARRANTIES OF MERCHANTABILITY AND FITNESS FOR PARTICULAR PURPOSE ARE EXCLUDED, AS ARE ALL OTHER REPRESENTATIONS TO THE USER-PURCHASER, AND ALL OTHER OBLIGATIONS OR LIABILITIES, INCLUDING LIABILITY FOR INCIDENTAL AND CONSEQUENTIAL DAMAGES, ON THE PART OF MECHANICAL OR THE SELLER.

MODEL 95 TUNNEL LAYER PARTS LIST

926	Sealed bearing for rollers	9534	Pocket support bracket
634U	U-bolt for coulter	9535	Roller mounting bracket
5113	Hex flange block bearing	9540	Angled coulter mounting bracket
1919	1-1/4" Oilite bearing	9541	Rear shank mounting bracket
1925	Chain tightener sprocket	9542	Smooth wheel arm bracket
2018	16" Coulter disc with hub	9543	Smooth wheel bracket securing plate
9003	Shank for coulter disc	9545	Rear fixed arm
9003C	14" Coulter disc with hub	9546	Plastic roll end stop
9009	Smooth stretch wheel	9547	Rear coulter arm
9016L	Tightening lever	9548	Stretch wheel arm
9065	Tire with rim	9550	Stretch wheel axle
9502	Left wire holder	9551	Easy start collar
9503	Right wire holder	9552	Left easy start arm
9504	Wire holder guards	9553	Right easy start arm
9506	Drive rod	9554	Easy start wheel
9507	25 tooth drive sprocket	9555	Rear bar securing plate
9508	Main drive chain	9556	Extra roll holder bar
9509	Drive wheel hub	9557	Rollers for plastic
9510	Wheel hub	9561	Rear toolbar securing plate
9511	Pocket drive chain	9562	Footrest
9512	Wheel mtg. bracket	9563	Seat and footrest mounting bracket
9513	Wheel mtg. bracket support plate	9564	Right frame side
9514	Drive chain tightener bracket	9565	Left frame side
9516	Chain tightener complete	9566	Front toolbar securing plate
9517	Wheel axle	9569	Right inner frame
9518	Sprocket & plate assembly	9570	Left inner frame
9519	Pocket spring	9571	Extra roll holder
9520	Pocket spring holder	9572	Brake arm
9521	Right pocket wire holder	9574	Roller mounting bracket securing plate
9522	Left pocket wire holder	9575	Roller collar
9523	Pocket drive sprocket	9577	Side frame securing plate
9524	Right pocket wire former	9578	Rear frame securing plate
9525	Left pocket wire former	9579	Left shank mounting bracket
9526	Pocket arm	9580	Right shank mounting bracket
9527	Pocket cam	9581	Shank bracket securing plate
9528	Left wire control bracket	9582	Lift chains
9529	Right wire control bracket	47000	Right center upright
9530	Right wire stop	47001	Left center upright
9531	Left wire stop	47005	Pipe spacer
9532	Right pocket complete	47006	A-frame lower bracket
9533	Left pocket complete	FSC650	1-1/4" Set collar
		OE 77	Cushion seat with bracket

MECHANICAL TRANSPLANTER COMPANY * 1150 Central Avenue * Holland, MI 49423

Phone: 616-396-8738 or 800-757-5268 * Fax: 616-396-3619

website: www.mechanicaltransplanter.com * e-mail: mtc@mechanicaltransplanter.com

Mechanical Transplanter Company * 1150 Central Avenue * Holland, MI 49423

Phone: 800-757-5268 * 616-396-8738 or Fax: 616-396-3619